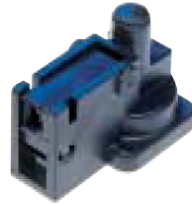


F-5500 Series Solid State Pressure Switch



The F-5500 Series Solid State Pressure Switches interface from pressure to electrical control circuits.

The switch is adjustable from 0.5 to 100 PSI with 100 PSI maximum supply. The Solid State Switch combines precision mechanical switch operating convenience with solid state reliability. It uses the Hall sensor. An integrated circuit, actuated by a magnet located in the operating plunger, produces a digital output. There are no contacts. Supply voltage is 4.5-24 VDC. The Solid State Switch is a direct interface with solid state circuits. The digital logic-level output eliminates the need for conditioning circuitry to obtain a square wave output. A terminal housing can be provided for use with AMP 102241-1.

Four mounting styles are available: The standard flush mount; the panel mount has a unique thread that goes from 1/8-27 tapered pipe thread to 1/8-27 straight pipe thread for mounting; the manifold mount is designed to mount directly on pneumatic circuit boards or manifold subplates – a Buna N o-ring is supplied; and 1/8 NPT mount which has 1/8-27 tapered pipe threads. The switches are furnished with a B80 Barb, 10-32 Barbed Fitting for 1/16" I.D. tubing.

ORDERING INFORMATION (Order by model number, adjustment range, mounting style, and port connection as shown below.)

F-5500 — 15 — PM — B85

Model Number	Adjustment Range	Mounting Style	Port Connection	Switch
F-5500	15-0.5 to 15 PSI	FM-Flush Mount	B80-Barb for 1/16" I.D. Tubing	4.5 to 24 VDC
	30-0.5 to 30 PSI	PM-Panel Mount 1/8-27 NPS	B85-Barb for 1/8" I.D. Tubing	
	60-0.5 to 60 PSI	MM-Manifold Mount	No Accessory Number required for a B-80 Barb	
	100-0.5 to 100 PSI	PT-Pipe Thread Mount 1/8-27 NPT		

FEATURES

- Low Cost
- Subminiature Size
- High-pressure Adjustment
- Low Differential
- Solid State Switch
- Fast Response

SPECIFICATIONS

ELECTRICAL

Switch Action: Solid State Hall Sensor
 Electrical Rating: 4.5-24 VDC
 Electrical Switch: UL Approved
 Electrical Connections: AMP 102241-1 terminal

MECHANICAL

Operating Speed: Activate or release in 25 milliseconds
 Signal Pressure: 100 PSI maximum
 Adjustment Range: 0.5 to 100 PSI, ± 0.5 tolerance on the initial starting pressure
 Temperature Limits: 40° to 120°F. (4° to 49°C.)

MATERIALS

Housing: Polysulfone
 Diaphragm: Polyurethane
 Spring: Stainless Steel or Music Wire

MOUNTING

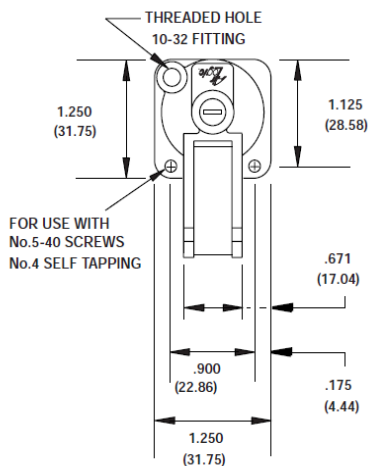
Flush Mount: mounting hole .125" diameter, use No. 4 self-tapping or 5-40 screw
 Panel Mount: 1/8-27 NPT to 1/8-27 NPS, 10-32 female internal threads
 Mounting hole size 7/16" diameter. Supplied with mounting nut
 Manifold Mount: Two mounting holes .125" diameter, use No. 4 self-tapping or 5-40 screw, supplied with Buna N o-ring
 1/8 NPT Mount: 1/8-27 male tapered pipe threads with 10-32 female internal threads

PORT CONNECTIONS

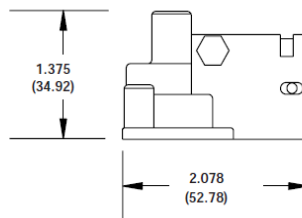
10-32 female threads.
 1/8-27 male tapered pipe threads with 10-32 female internal threads furnished with a B80 Barb, 10-32 Barbed Fitting for 1/16" I.D. tubing.

DIMENSIONS

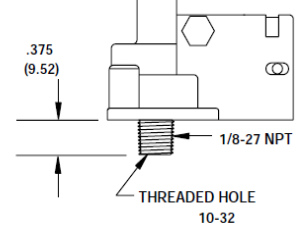
() = Metric Dimensions



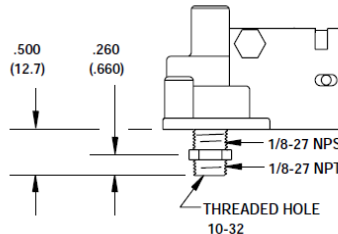
FLUSH MOUNT



1/8 NPT MOUNT



PANEL MOUNT



MANIFOLD MOUNT

