

Air Logic PNEUMATIC COMPONENTS AND SYSTEMS

Swivel Fittings with O-Ring Seals

The Air Logic Division of Knapp Manufacturing, Inc. designs and manufactures a comprehensive line of pneumatic and vacuum control equipment.

“New” to our product line is a selection of Swivel Fittings with an O-Ring Seal located above the 10-32 UNF threads.

The addition of this bottom seal guarantees a leak-free connection when the threads are tightened using the 1 inch pound torque specification.

Three models of Swivel Fittings are available, the Straight Swivel, the Swivel Elbow, and the Swivel Tee.

The unique design of the swivel allows the barb to rotate 360°. Barbs are available for 1/16”, 3/32”, 1/8” or .170” I.D. tubing. The first barb is molded without a parting line; this design innovation eliminates leakage.

The standard fitting is sealed with a Buna-N o-ring; Ethylene Propylene, Silicone, and Viton o-rings are also available.

The fittings are precision molded of nylon or polypropylene. An operating temperature range of 40° to 120°F (5° to 48°C) is recommended.

The unique design of the swivel fitting is registered with the United States Patent Office. (Patent # 5,695,223)



SELECTION GUIDE

Please order by Model Number and Port Connection; the standard Swivel Fitting with O-ring Seal has Buna-N o-rings and is molded in black nylon. Ethylene Propylene, Silicone, and Viton o-rings are also available. Alternate o-rings and material choices must be designated.

Model Number and Description	Port Connection	Swivel Material	O-Ring Seal
F2150 Straight Swivel 10-32 UNF threads	80 for 1/16” I.D. tubing	B Black Nylon	B Buna-N
F2154 Swivel Elbow 10-32 UNF threads	83 for 3/32” I.D. tubing	PP Clear Polypropylene	E Ethylene Propylene
F2155 Swivel Tee 10-32 UNF threads	85 for 1/8” I.D. tubing	Black Nylon is Standard. Do not specify “B”	S Silicone
	86 for .170” I.D. tubing		V Viton

Please note: The Swivel Fitting with o-ring seals contain two o-rings. The same material will be used for both o-ring seals.

PRODUCT SPECIFICATIONS

Barb Configuration: Straight, Elbow, and Tee

Barb Sizes: 1/16", 3/32", 1/8", .170 I.D. Flexible Tubing

Threads: 10-32 UNF (1 inch pound torque specification)

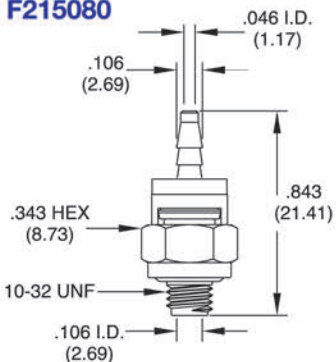
Operating Temp: 40° to 120°F (5° to 48°C)

Housing Materials: Nylon (Black)
Polypropylene (Clear)

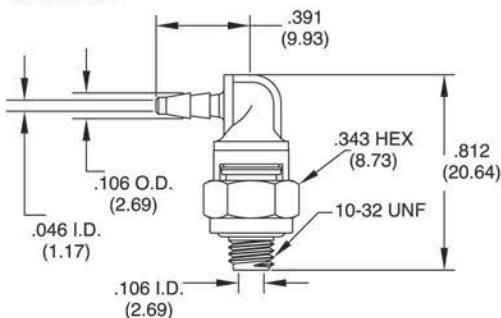
O-Ring Materials: Buna N, Ethylene Propylene,
Silicone, or Viton

Supply Pressure 125 PSI (max)

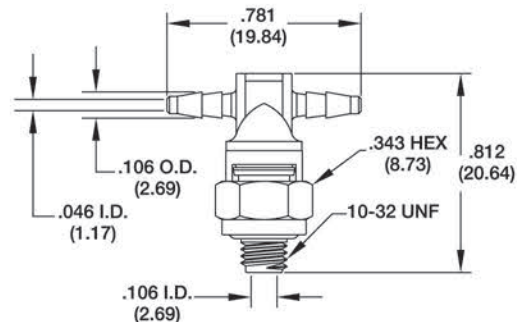
F215080



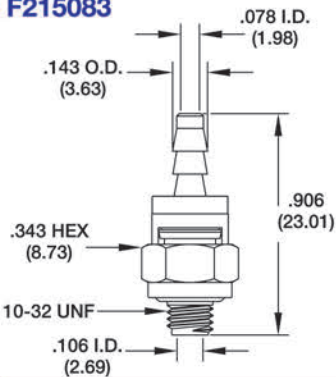
F215480



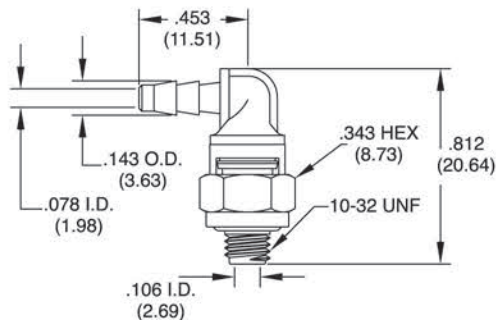
F215580



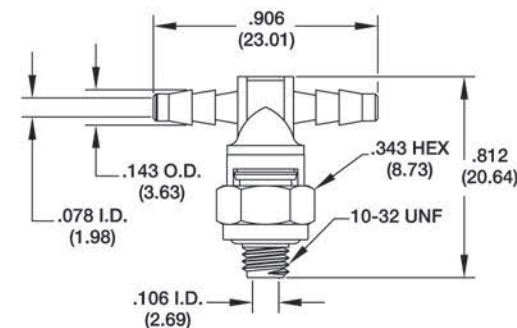
F215083



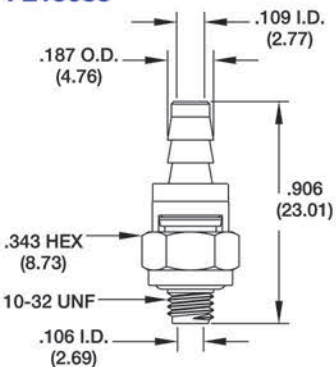
F215483



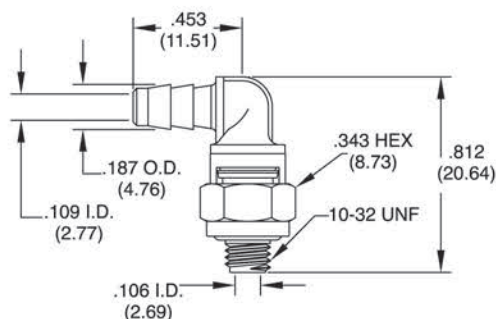
F215583



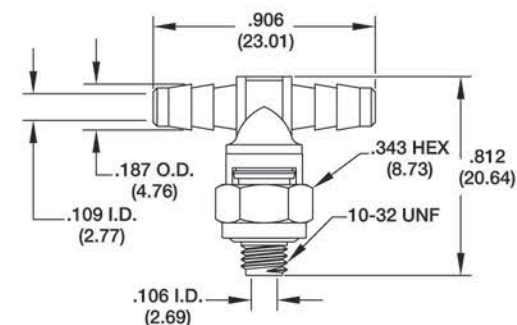
F215085



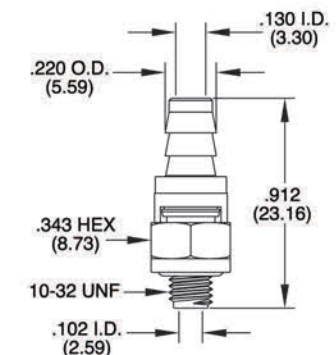
F215485



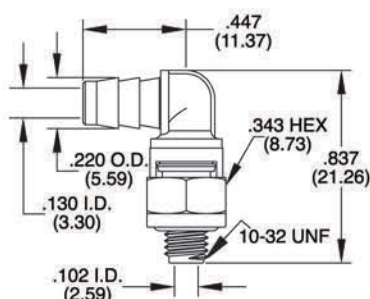
F215585



F215086



F215486



F215586

