

F-950, F-960, F-970 Series Filters



The Air Logic Filters are designed for compressed air systems to remove most contaminate particles.

Three models are available: 1) The F-950 Series is an inline filter with barbs for 1/16" or 1/8" I.D. tubing, 2) The F-960 Series filter is encased in a male 10-32 UNF threaded housing with barbs for 1/16" or 1/8" I.D. tubing, 3) The F-970 Series Filter is encased in a female 10-32 UNF threaded housing.

The filters are precision molded of polysulfone material. The Dutch weave wire screen is constructed of stainless steel. The Dutch weave is resistant to high pressure. The filters are available in 5, 25, 43 and 73 microns. Maximum supply is 125 PSI. The inline filter is disposable.

- FEATURES**
- Low Cost
 - Disposable
 - Small Size
 - Low Pressure Drop

SPECIFICATIONS
 Maximum Supply: 125 PSI
 Operating Temperature: 40° to 120°F. (5° to 48°C.)

MATERIALS
 Housing: Blue Polysulfone
 Filter Media: 316 stainless steel filter screen

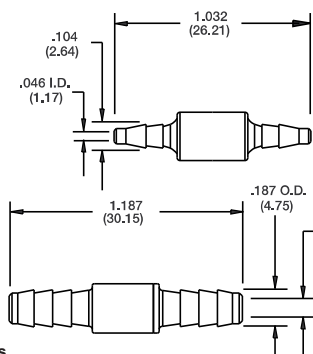
MOUNTING
 Inline installation, 10-32 UNF male threads, or 10-32 UNF female threads

PORT CONNECTIONS
 Barbs for 1/16" or 1/8" I.D. flexible tubing
ORDERING INFORMATION (Order by model number, specify micron size, and port connection.)

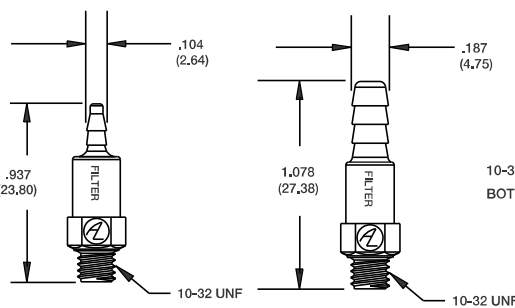
Model Number	Mounting	Filter Size	Port Connection
F-950	Inline	5 - 5 micron 325 x 2300 mesh	B80 - Barbs for 1/16" I.D. tubing
F-960	Male 10-32 UNF	25 - 25 micron 200 x 600 mesh 43 - 43 micron 325 x 325 mesh	B85 - Barbs for 1/8" I.D. tubing
F-970	Female 10-32 UNF	73 - 73 micron 200 x 200 mesh	No accessory numbers required for 10-32 threads

DIMENSIONS

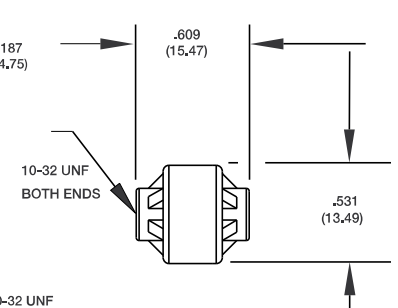
() = Metric Dimensions



F-950 Series

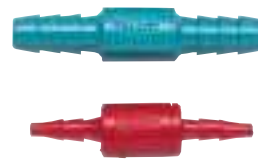


F-960 Series



F-970 Series

F-950 Series Filtered Orifice Restrictors



The Filtered Orifice Restrictors are designed for use in pneumatic control circuits. The orifice restrictor and a stainless steel filter are encased in a molded housing with barbs for 1/16" or 1/8" I.D. flexible tubing.

The Dutch weave wire screen is constructed of stainless steel. The filter is available in 5, 43 and 73 microns. The orifices are precision molded of polysulfone and are held to flow tolerances of ± 4%.

Available in ten color coded sizes .004" to .030" diameter. Maximum supply is 100 PSI. The Filtered Orifice Restrictors are disposable and designed for inline installation.

- FEATURES**
- Precision Molded
 - Miniature size
 - Low Pressure Drop

SPECIFICATIONS
 Orifice Diameter: .004" to .030"
 Maximum Supply: 100 PSI
 Operating Temperatures: 40° to 120°F. (5° to 48°C.)

MATERIALS
 Housing: Polysulfone
 Filter Media: 316 stainless steel filter screen

PORT CONNECTIONS
 Barbs for 1/16" or 1/8" I.D. flexible tubing

ORDERING INFORMATION (Order by model number, specify filter size, orifice diameter and accessory numbers for port connections.)

Model Number	Filter Size	Orifice Diameter	Color Code	Port Connection
F-950	5 - 5 micron 325 x 2300 mesh	.041-0.004"	Purple	B80 - Barbs for 1/16" I.D. tubing B85 - Barbs for 1/8" I.D. tubing
		.050-0.005"	Lime Green	
		.051-0.006"	Red	
	43 - 43 micron 325 x 325 mesh	.071-0.007"	Aqua Green	
		.101-0.010"	Yellow	
		.121-0.012"	Black	
		.161-0.016"	Gray	
	73 - 73 micron 200 x 200 mesh	.201-0.020"	Blue	
		.251-0.025"	Brown	
		.301-0.030"	Beige	

F-950 - 5 - 050 - B80