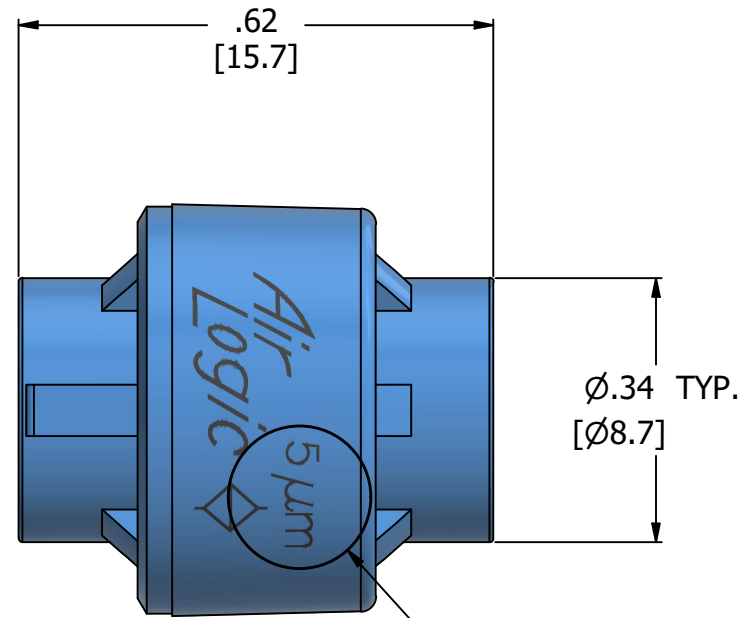
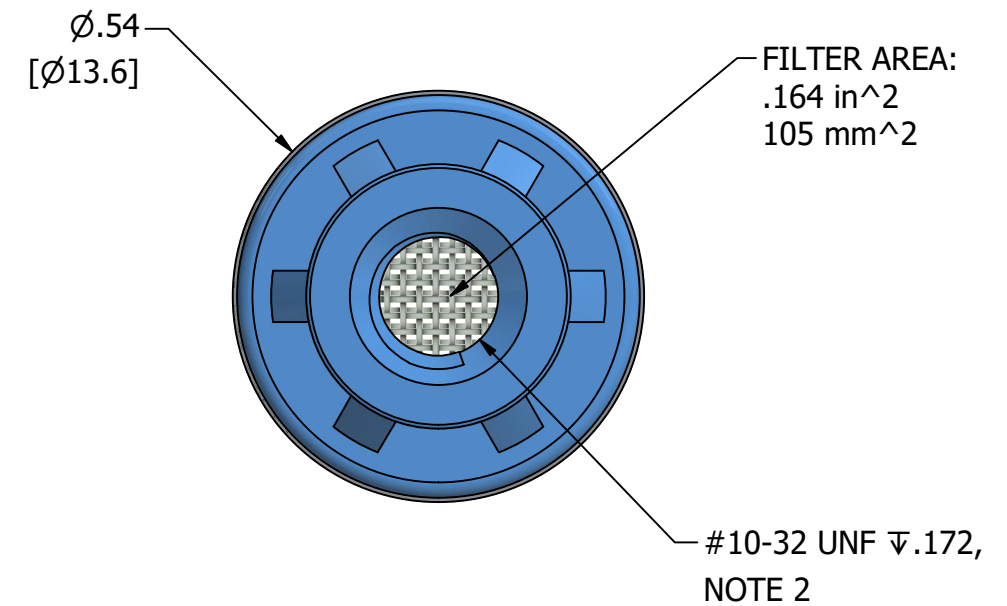
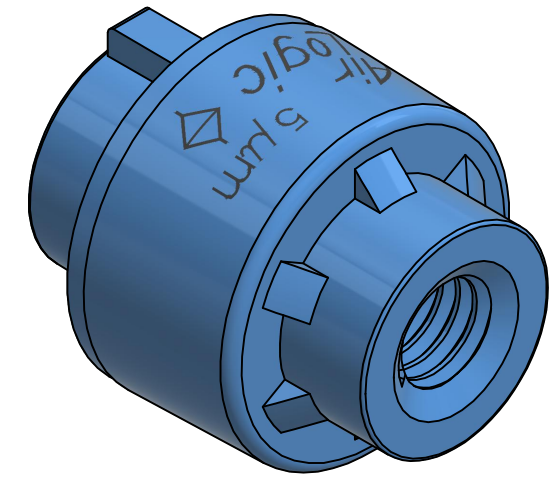


NOTES:


1. ALL DIMENSIONS FOR REFERENCE ONLY
2. REFER TO AIR LOGIC'S #10-32 INTERFACE & SEAL GUIDE
3. REFER TO AIR LOGIC'S POLYSULFONE APPLICATIONS GUIDE



FILTER SIZE CALLOUT



PRODUCT SPECIFICATIONS	
COLOR(S)	LIGHT BLUE, BLACK PRINT
FILTER AREA	.164 in ² , [105 mm ²]
FILTER SIZE	5 MICRON
MEDIA	GASES, LIQUIDS, NOTE 3
MAX INLET PRESSURE	125 PSI, [8.6 BAR]
WETTED MATERIALS	POLYSULFONE, STAINLESS STEEL

 AIR-LOGIC @ DIVISION OF KNAPP MFG, INC. 5102 DOUGLAS AVE RACINE, WI 53402 PHONE: (262) 639-9035 FAX: (262) 639-5996 WEB: AIR-LOGIC.COM		TERMS OF USE: THIS DRAWING IS FOR INFORMATIONAL PURPOSES ONLY. AIR LOGIC MAKES NO REPRESENTATIONS OF WARRANTIES CONCERNING SUITABILITY FOR ANY PARTICULAR PURPOSE. ALL PRODUCTS SUPPLIED ARE SUBJECT TO TERMS AND CONDITIONS FOUND AT AIR-LOGIC.COM
PART/DRAWING NO.: F9705		
DESCRIPTION: THREADED INLINE FILTER, 5 MICRON, #10-32		DRAWING TAKES PRECEDENCE OVER 3D MODEL GEOMETRY TOLERANCE: DECIMALS .00 ± .01, .000 ± .005, FRACTIONS ± 1/64 ANGLES 1/4° UNLESS OTHERWISE SPECIFIED UNITS: INCHES [MILLIMETERS]
REVISION: A	DRAWN: 2/24/2021	
SCALE: 4 : 1	SHEET SIZE: B	