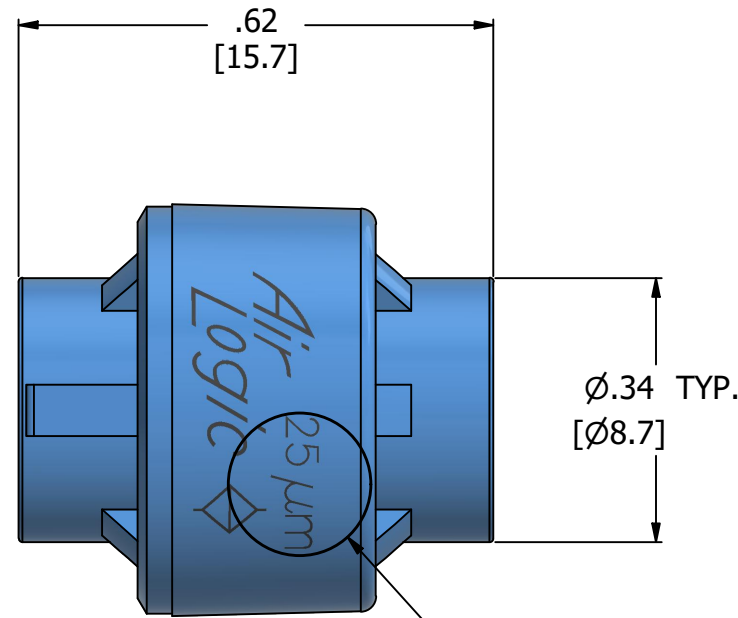
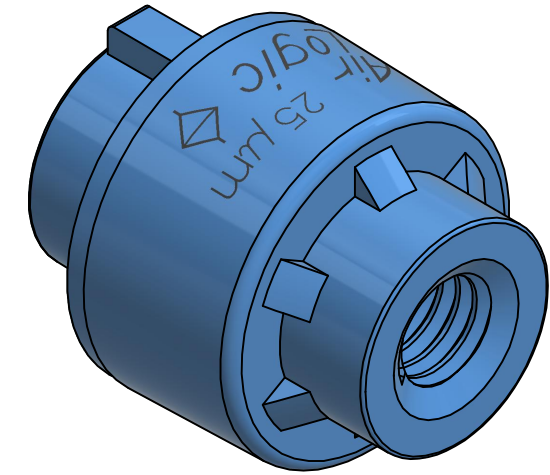


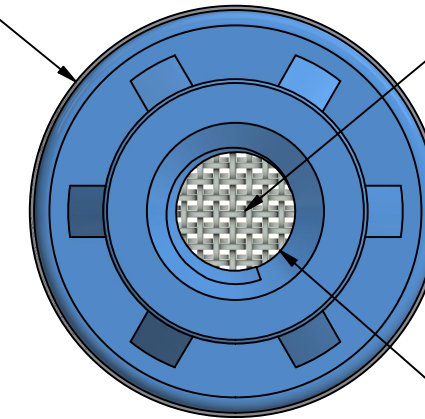
NOTES:

1. ALL DIMENSIONS FOR REFERENCE ONLY
2. REFER TO AIR LOGIC'S #10-32 INTERFACE & SEAL GUIDE
3. REFER TO AIR LOGIC'S POLYSULFONE APPLICATIONS GUIDE



FILTER SIZE CALLOUT

Ø.54
[Ø13.6]



FILTER AREA:
.164 in²
105 mm²

#10-32 UNF ∇ .172,
NOTE 2

PRODUCT SPECIFICATIONS

| | |
|--------------------|---|
| COLOR(S) | LIGHT BLUE, BLACK PRINT |
| FILTER AREA | .164 in ² , [105 mm ²] |
| FILTER SIZE | 25 MICRON |
| MEDIA | GASES, LIQUIDS, NOTE 3 |
| MAX INLET PRESSURE | 125 PSI, [8.6 BAR] |
| WETTED MATERIALS | POLYSULFONE, STAINLESS STEEL |



AIR-LOGIC @ DIVISION OF KNAPP MFG, INC.
5102 DOUGLAS AVE RACINE, WI 53402

PHONE: (262) 639-9035 FAX: (262) 639-5996 WEB: AIR-LOGIC.COM

PART/DRAWING NO.:

F97025

DESCRIPTION:
THREADED INLINE FILTER, 25 MICRON, #10-32

REVISION: A

DRAWN: 2/24/2021

SCALE: 4 : 1

SHEET SIZE: B

TERMS OF USE:

THIS DRAWING IS FOR INFORMATIONAL PURPOSES ONLY. AIR LOGIC MAKES NO REPRESENTATIONS OF WARRANTIES CONCERNING SUITABILITY FOR ANY PARTICULAR PURPOSE. ALL PRODUCTS SUPPLIED ARE SUBJECT TO TERMS AND CONDITIONS FOUND AT AIR-LOGIC.COM

DRAWING TAKES PRECEDENCE OVER 3D MODEL GEOMETRY

TOLERANCE: DECIMALS .00 ± .01, .000 ± .005, FRACTIONS ± 1/64
ANGLES 1/4° UNLESS OTHERWISE SPECIFIED
UNITS: INCHES [MILLIMETERS]