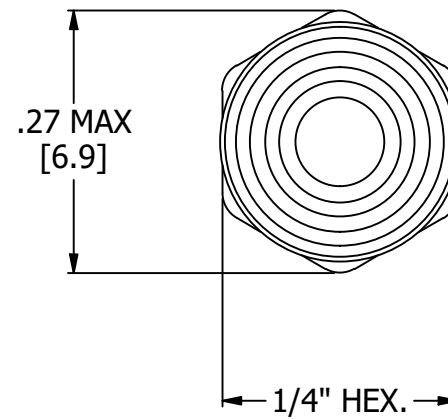
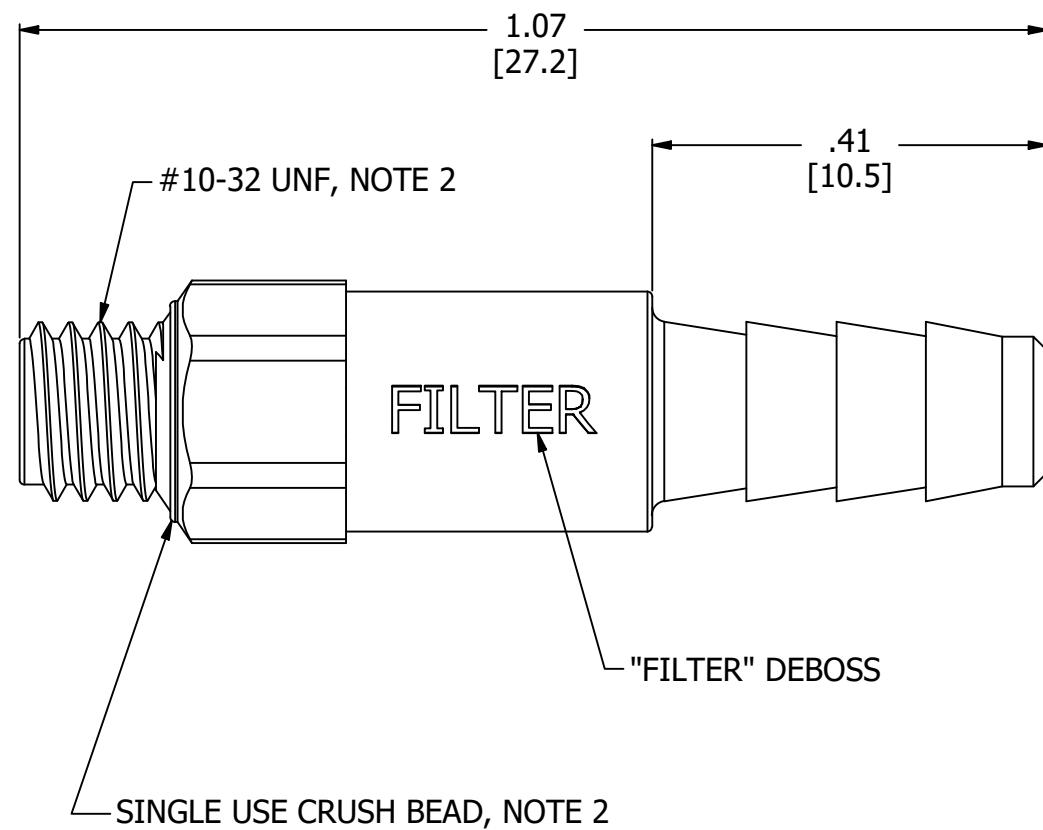
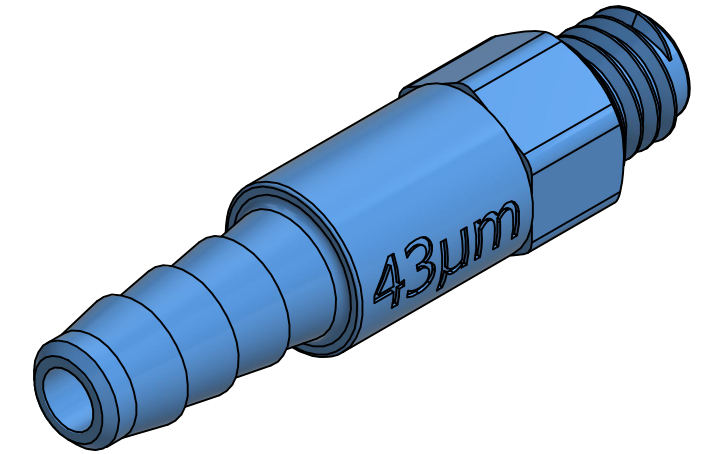
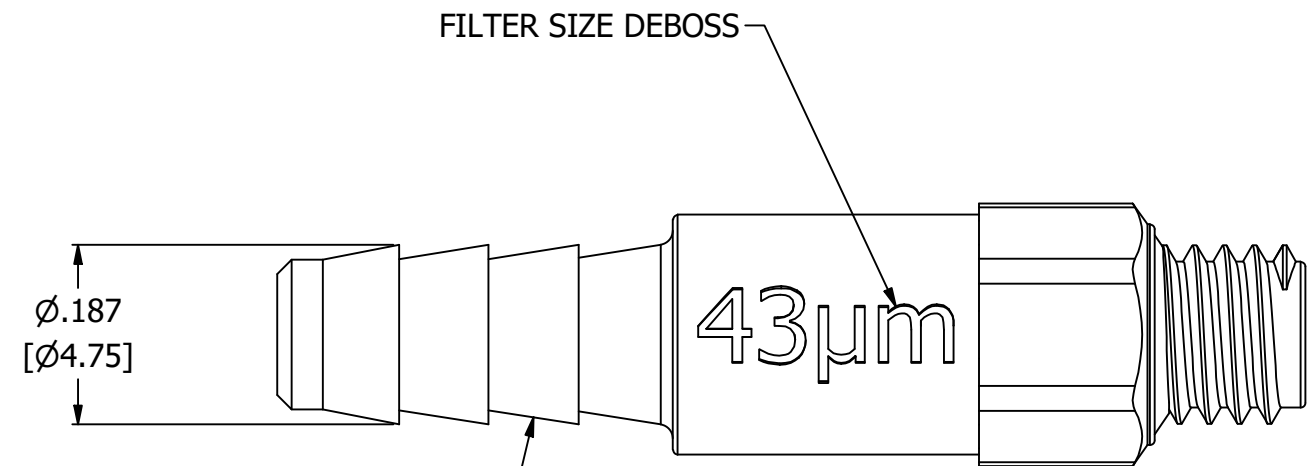


NOTES:


1. ALL DIMENSIONS FOR REFERENCE ONLY
2. REFER TO AIR LOGIC'S #10-32 INTERFACE & SEAL GUIDE
3. REFER TO AIR LOGIC'S POLYSULFONE APPLICATIONS GUIDE
4. TUBE RETENTION PRESSURE SUBJECT TO TUBING DIMENSION AND STIFFNESS



BARBED CONNECTION FOR 1/8" [3.2] I.D. TUBE, FIRST BARB FREE OF PARTING LINE



| PRODUCT SPECIFICATIONS | |
|---------------------------------|---|
| COLOR(S) | LIGHT BLUE |
| FILTER AREA | 0.027 in ² , [17.719 mm ²] |
| FILTER SIZE | 43 MICRON |
| MEDIA | GASES, LIQUIDS, NOTE 3 |
| MAX INLET PRESSURE | 125 PSI, [8.6 BAR] |
| TYPICAL TUBE RETENTION PRESSURE | 125 PSI, [8.6 BAR], NOTE 4 |
| MINIMUM INNER DIAMETER | Ø.09, [Ø2.3] |
| WETTED MATERIALS | POLYSULFONE, STAINLESS STEEL |

| | |
|---|-----------------------------------|
|  AIR-LOGIC @ DIVISION OF KNAPP MFG, INC. 5102 DOUGLAS AVE RACINE, WI 53402 PHONE: (262) 639-9035 FAX: (262) 639-5996 WEB: AIR-LOGIC.COM | |
| PART/DRAWING NO.: F96043B85 | |
| DESCRIPTION: THREADED FILTER, 43 MICRON, #10-32 X 1/8" BARB | |
| REVISION: A SCALE: 5 : 1 | DRAWN: 2/24/2021 SHEET SIZE: B |

| |
|---|
| TERMS OF USE: THIS DRAWING IS FOR INFORMATIONAL PURPOSES ONLY. AIR LOGIC MAKES NO REPRESENTATIONS OF WARRANTIES CONCERNING SUITABILITY FOR ANY PARTICULAR PURPOSE. ALL PRODUCTS SUPPLIED ARE SUBJECT TO TERMS AND CONDITIONS FOUND AT AIR-LOGIC.COM |
| DRAWING TAKES PRECEDENCE OVER 3D MODEL GEOMETRY TOLERANCE: DECIMALS .00 ± .01, .000 ± .005, FRACTIONS ± 1/64 ANGLES 1/4° UNLESS OTHERWISE SPECIFIED UNITS: INCHES [MILLIMETERS] |