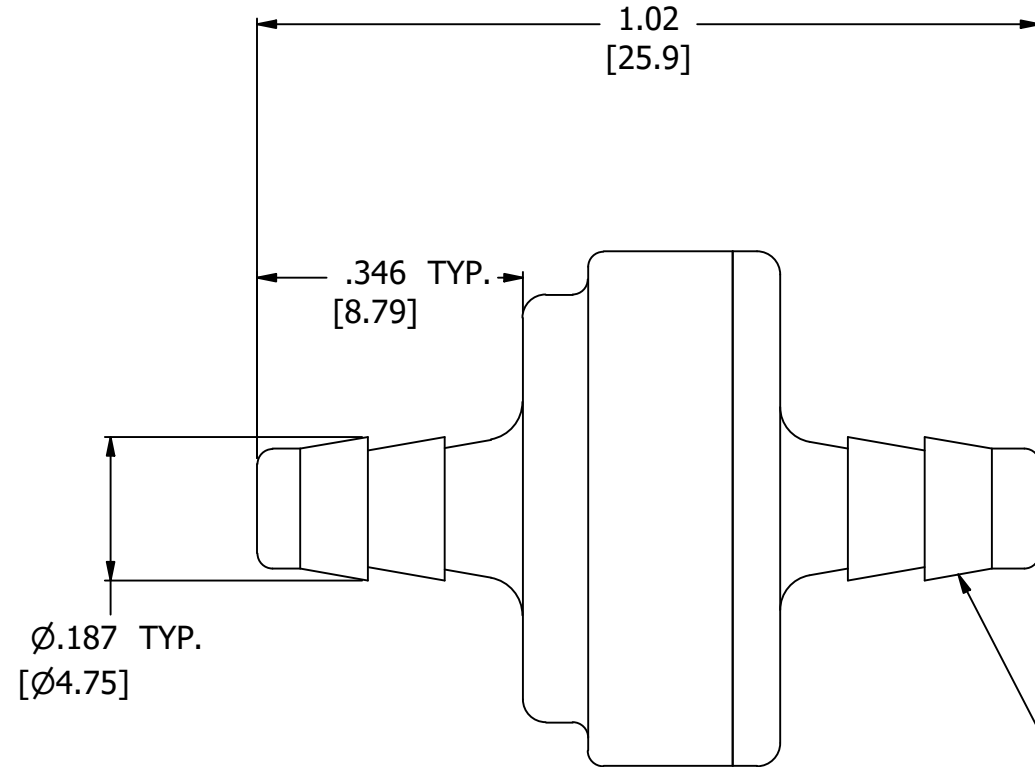
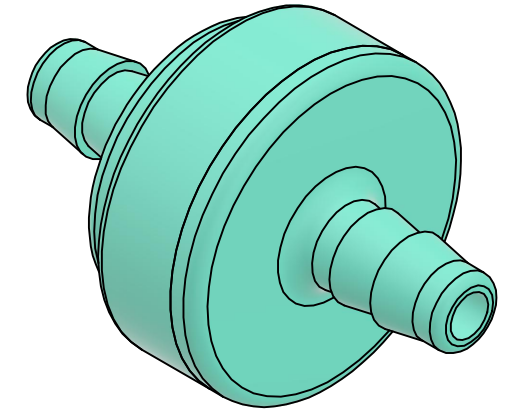
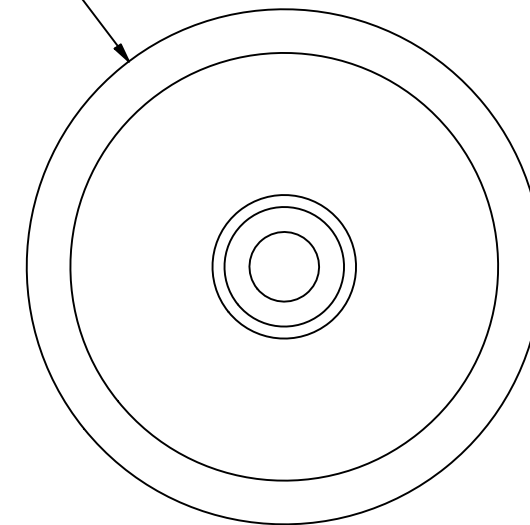


- NOTES:  
 1. ALL DIMENSIONS FOR REFERENCE ONLY  
 2. TUBE RETENTION PRESSURE SUBJECT TO TUBING DIMENSION AND STIFFNESS



Ø.67  
[Ø17.0]



BARBED CONNECTION FOR 1/8" [3.2] I.D. TUBE,  
 FIRST BARB FREE OF PARTING LINE

PRODUCT SPECIFICATIONS

COLOR	OCEAN BLUE
FILTER AREA	0.23 in <sup>2</sup> , [5.8 mm <sup>2</sup> ]
FILTER SIZE	105 MICRON
MEDIA	GASES, LIQUIDS,
MAX INLET PRESSURE	125 PSI, [8.6 BAR]
TYPICAL TUBE RETENTION PRESSURE	125 PSI, [8.6 BAR], NOTE 2
MINIMUM INNER DIAMETER	Ø.09, [Ø2.3]
WETTED MATERIALS	POLYPROPYLENE



**AIR-LOGIC** ® DIVISION OF KNAPP MFG, INC.  
 5102 DOUGLAS AVE RACINE, WI 53402  
 PHONE: (262) 639-9035 FAX: (262) 639-5996 WEB: AIR-LOGIC.COM

PART/DRAWING NO.:

**F850105B85**

DESCRIPTION:  
 INLINE FILTER, 105 MICRON, 1/8" BARB, POLYPROPYLENE

REVISION: A

DRAWN: 8/24/2023

SCALE: 4 : 1

SHEET SIZE: B

TERMS OF USE:

THIS DRAWING IS FOR INFORMATIONAL PURPOSES ONLY. AIR LOGIC MAKES NO REPRESENTATIONS OF WARRANTIES CONCERNING SUITABILITY FOR ANY PARTICULAR PURPOSE. ALL PRODUCTS SUPPLIED ARE SUBJECT TO TERMS AND CONDITIONS FOUND AT AIR-LOGIC.COM

DRAWING TAKES PRECEDENCE OVER 3D MODEL GEOMETRY

TOLERANCE: DECIMALS .00 ± .01, .000 ± .005, FRACTIONS ± 1/64  
 ANGLES 1/4° UNLESS OTHERWISE SPECIFIED  
 UNITS: INCHES [MILLIMETERS]