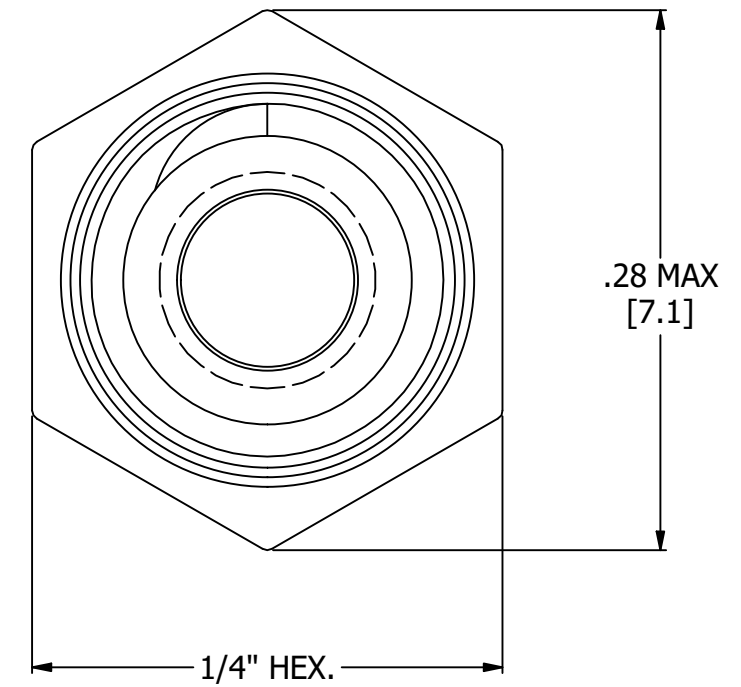
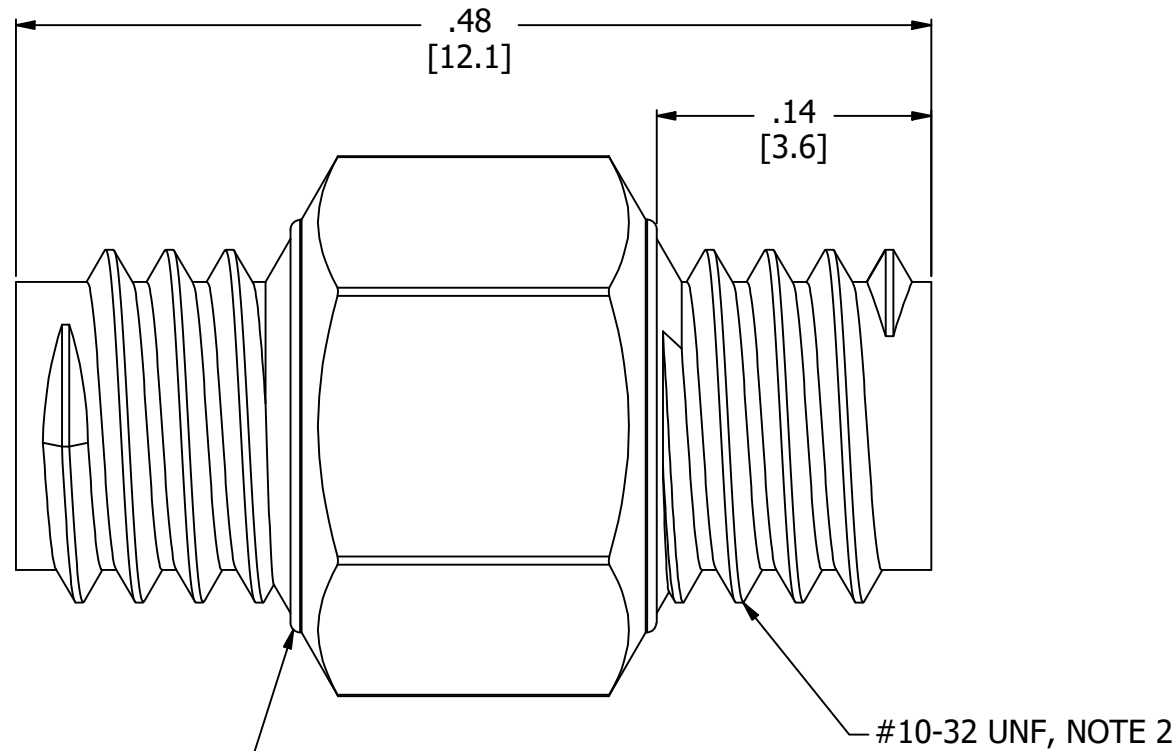
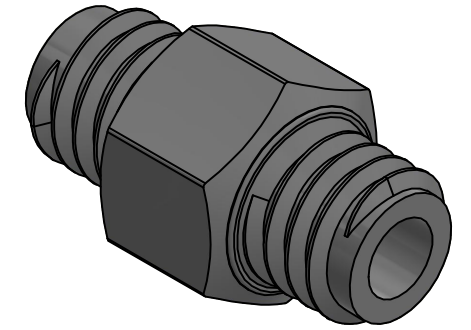


NOTES:

1. ALL DIMENSIONS FOR REFERENCE ONLY
2. REFER TO AIR-LOGIC'S #10-32 INTERFACE & SEAL GUIDE



SINGLE USE CRUSH BEADS



AIR-LOGIC @ DIVISION OF KNAPP MFG, INC.
 5102 DOUGLAS AVE RACINE, WI 53402
 PHONE: (262) 639-9035 FAX: (262) 639-5996 WEB: AIR-LOGIC.COM

TERMS OF USE:
 THIS DRAWING IS FOR INFORMATIONAL PURPOSES ONLY. AIR LOGIC MAKES NO REPRESENTATIONS OF WARRANTIES CONCERNING SUITABILITY FOR ANY PARTICULAR PURPOSE. ALL PRODUCTS SUPPLIED ARE SUBJECT TO TERMS AND CONDITIONS FOUND AT AIR-LOGIC.COM

PART/DRAWING NO.:

F312025PP

DESCRIPTION:
 #10-32 NIPPLE, POLYPROPYLENE

DRAWING TAKES PRECEDENCE OVER 3D MODEL GEOMETRY
 TOLERANCE: DECIMALS $.00 \pm .01$, $.000 \pm .005$, FRACTIONS $\pm 1/64$
 ANGLES $1/4^\circ$ UNLESS OTHERWISE SPECIFIED
 UNITS: INCHES [MILLIMETERS]

REVISION: A DRAWN: 3/2/2021
 SCALE: 10 : 1 SHEET SIZE: B

PRODUCT SPECIFICATIONS

| | |
|------------------------|--------------------------------------|
| COLOR(S) | LIGHT GRAY |
| MEDIA | GASES, LIQUIDS |
| MAX INLET PRESSURE | 125 PSI, [8.6 BAR] |
| MINIMUM INNER DIAMETER | $\emptyset.09$, [$\emptyset 2.3$] |
| WETTED MATERIALS | GLASS FILLED POLYPROPYLENE |