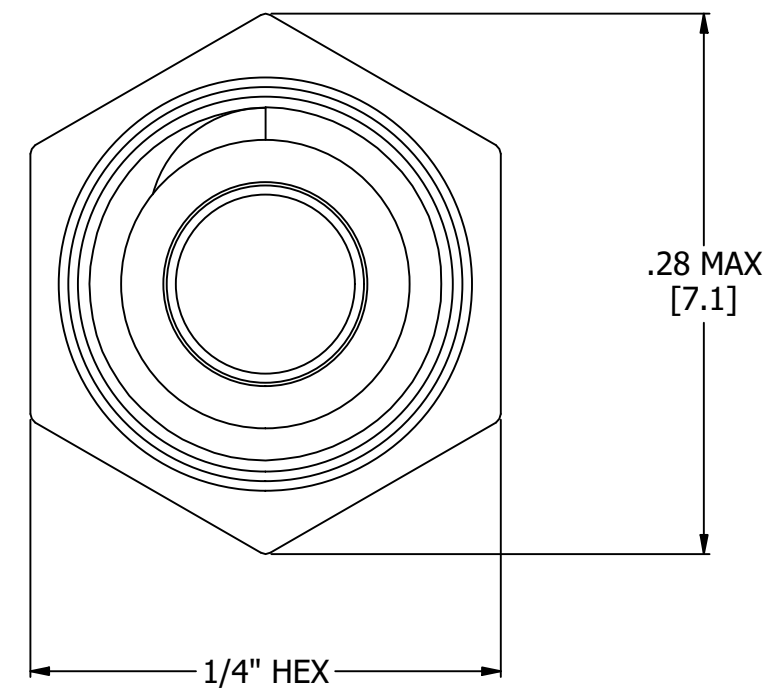
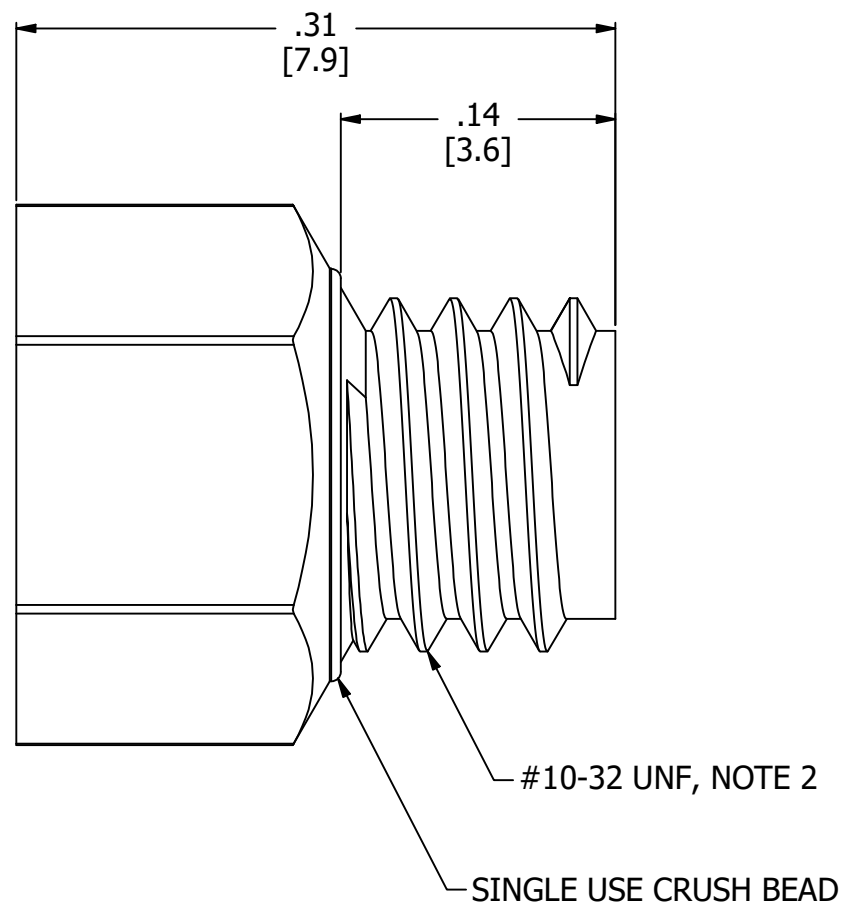
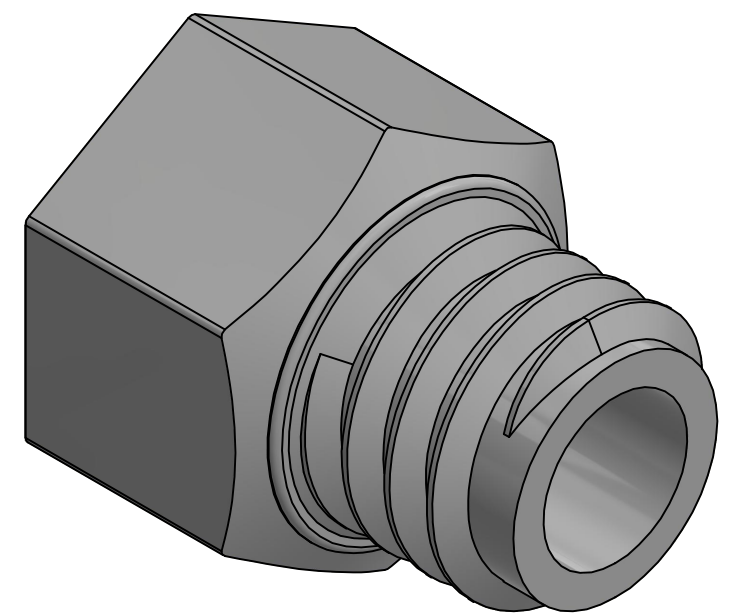



NOTES:  
 1. ALL DIMENSIONS FOR REFERENCE ONLY  
 2. REFER TO AIR-LOGIC'S #10-32 INTERFACE & SEAL GUIDE



D  
C  
B  
A

D  
C  
B  
A

 <b>AIR-LOGIC</b> <small>® DIVISION OF KNAPP MFG, INC.</small> <small>5102 DOUGLAS AVE RACINE, WI 53402                  PHONE: (262) 639-9035 FAX: (262) 639-5996 WEB: AIR-LOGIC.COM</small>		<b>TERMS OF USE:</b> THIS DRAWING IS FOR INFORMATIONAL PURPOSES ONLY. AIR LOGIC MAKES NO REPRESENTATIONS OF WARRANTIES CONCERNING SUITABILITY FOR ANY PARTICULAR PURPOSE. ALL PRODUCTS SUPPLIED ARE SUBJECT TO TERMS AND CONDITIONS FOUND AT AIR-LOGIC.COM
<b>PART/DRAWING NO.:</b> <b>F312020PP</b>		
<b>DESCRIPTION:</b> #10-32 POLYPROPYLENE PLUG		DRAWING TAKES PRECEDENCE OVER 3D MODEL GEOMETRY  TOLERANCE: DECIMALS .00 ± .01, .000 ± .005, FRACTIONS ± 1/64 ANGLES 1/4° UNLESS OTHERWISE SPECIFIED UNITS: INCHES [MILLIMETERS]
REVISION: B	DRAWN: 3/2/2021	
SCALE: 10 : 1	SHEET SIZE: B	

PRODUCT SPECIFICATIONS	
COLOR(S)	LIGHT GRAY
MEDIA	GASES, LIQUIDS
MAX INLET PRESSURE	125 PSI, [8.6 BAR]
WETTED MATERIALS	GLASS FILLED POLYPROPYLENE