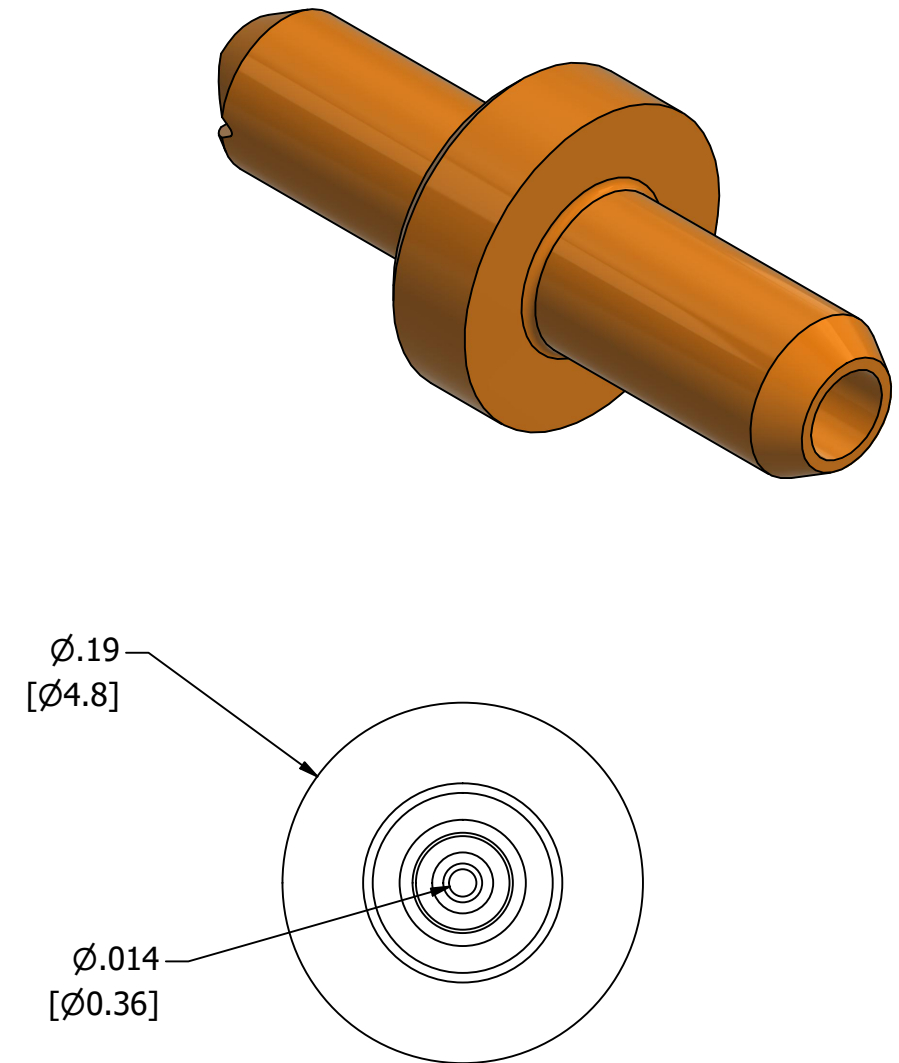
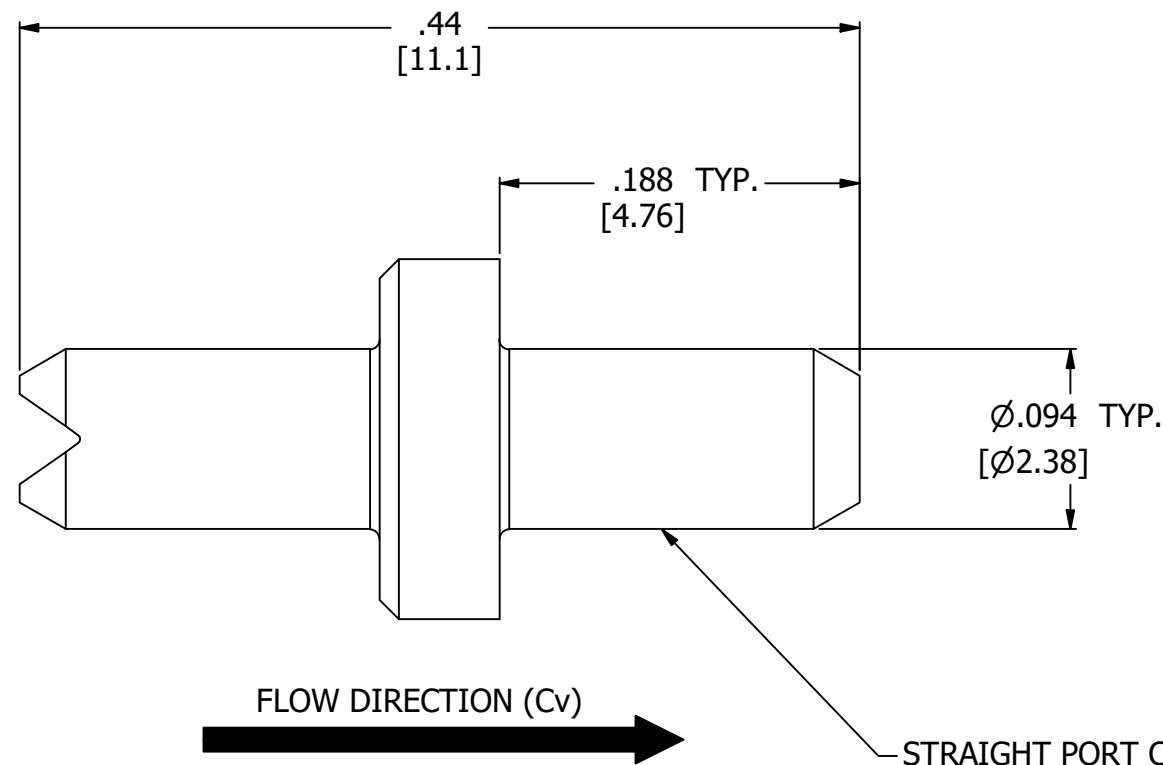


NOTES:

1. ALL DIMENSIONS FOR REFERENCE ONLY
2. TUBE RETENTION PRESSURE SUBJECT TO TUBING DIMENSION AND STIFFNESS



STRAIGHT PORT CONNECTIONS FOR 1/16" [1.6] I.D. TUBE,
PORTS FREE OF PARTING LINE

PRODUCT SPECIFICATIONS

COLOR(S)	ORANGE
MEDIA	GASES, LIQUIDS
MAX INLET PRESSURE	125 PSI, [8.6 BAR]
TYPICAL TUBE RETENTION PRESSURE	25 PSI, [1.7 BAR], NOTE 3
FLOW COEFFICIENT (Cv)	0.00572
NOMINAL ORIFICE DIAMETER	Ø.014 [Ø0.36]
WETTED MATERIALS	POLYCARBONATE
RECOMMENDED SYSTEM FILTRATION	5 MICRON



AIR-LOGIC @ DIVISION OF KNAPP MFG, INC.
5102 DOUGLAS AVE RACINE, WI 53402
PHONE: (262) 639-9035 FAX: (262) 639-5996 WEB: AIR-LOGIC.COM

PART/DRAWING NO.:

F2815141PC

DESCRIPTION:
Ø.014" POLYCARBONATE ORIFICE RESTRICTOR

REVISION: A	DRAWN: 2/24/2021
SCALE: 10 : 1	SHEET SIZE: B

TERMS OF USE:
THIS DRAWING IS FOR INFORMATIONAL PURPOSES ONLY. AIR LOGIC MAKES NO REPRESENTATIONS OF WARRANTIES CONCERNING SUITABILITY FOR ANY PARTICULAR PURPOSE. ALL PRODUCTS SUPPLIED ARE SUBJECT TO TERMS AND CONDITIONS FOUND AT AIR-LOGIC.COM

DRAWING TAKES PRECEDENCE OVER 3D MODEL GEOMETRY
TOLERANCE: DECIMALS .00 ± .01, .000 ± .005, FRACTIONS ± 1/64
ANGLES 1/4° UNLESS OTHERWISE SPECIFIED
UNITS: INCHES [MILLIMETERS]