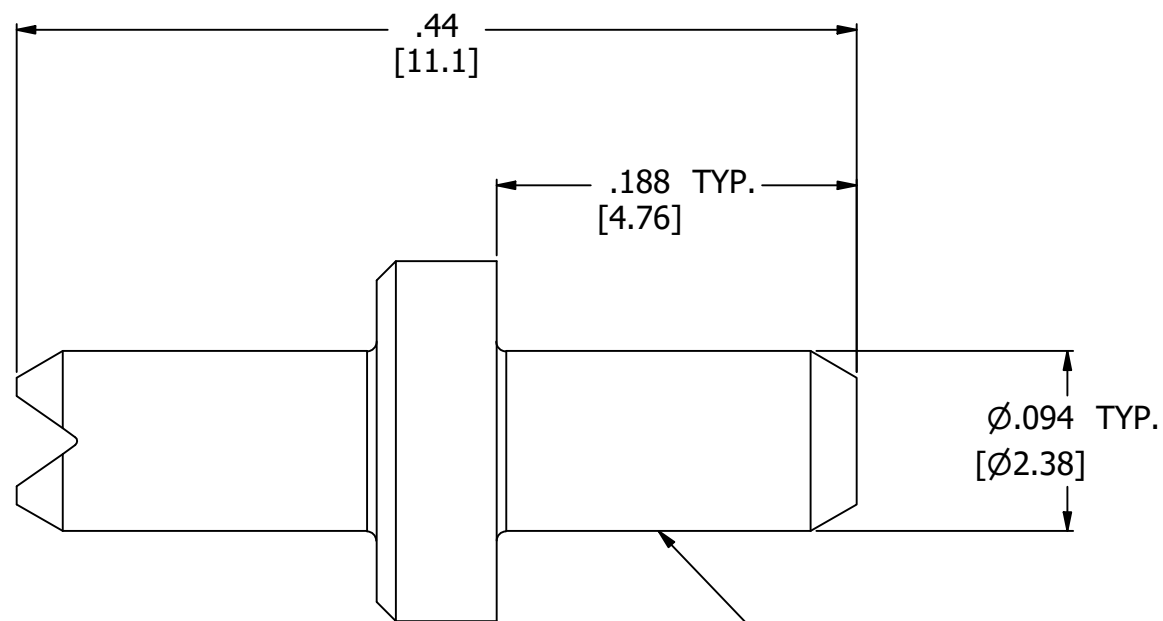


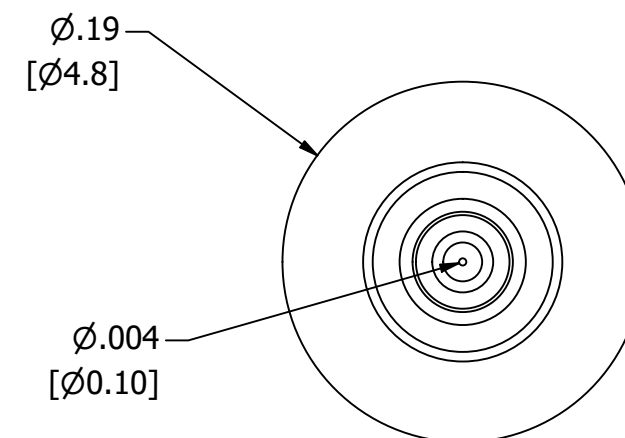
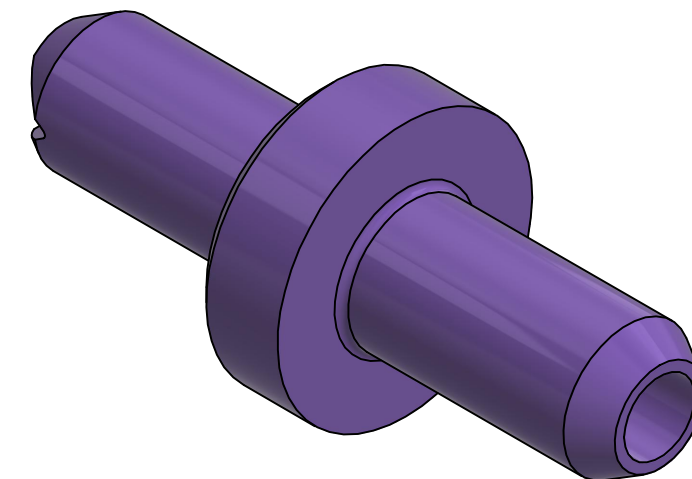
NOTES:

1. ALL DIMENSIONS FOR REFERENCE ONLY
2. REFER TO AIR LOGIC'S POLYSULFONE APPLICATION GUIDE
3. TUBE RETENTION PRESSURE SUBJECT TO TUBING DIMENSION AND STIFFNESS



FLOW DIRECTION (Cv) →

STRAIGHT PORT CONNECTIONS FOR 1/16" [1.6] I.D. TUBE, PORTS FREE OF PARTING LINE



PRODUCT SPECIFICATIONS

COLOR(S)	PURPLE
MEDIA	GASES, LIQUIDS, NOTE 2
MAX INLET PRESSURE	125 PSI, [8.6 BAR]
TYPICAL TUBE RETENTION PRESSURE	25 PSI, [1.7 BAR], NOTE 3
FLOW COEFFICIENT (Cv)	0.00038
NOMINAL ORIFICE DIAMETER	Ø.004 [Ø0.10]
WETTED MATERIALS	POLYSULFONE
RECOMMENDED SYSTEM FILTRATION	5 MICRON



**AIR-LOGIC** @ DIVISION OF KNAPP MFG, INC.  
5102 DOUGLAS AVE RACINE, WI 53402  
PHONE: (262) 639-9035 FAX: (262) 639-5996 WEB: AIR-LOGIC.COM

PART/DRAWING NO.:

**F2815041**

DESCRIPTION:  
Ø.004" ORIFICE RESTRICTOR

REVISION: B	DRAWN: 2/24/2021
SCALE: 10 : 1	SHEET SIZE: B

TERMS OF USE:

THIS DRAWING IS FOR INFORMATIONAL PURPOSES ONLY. AIR LOGIC MAKES NO REPRESENTATIONS OF WARRANTIES CONCERNING SUITABILITY FOR ANY PARTICULAR PURPOSE. ALL PRODUCTS SUPPLIED ARE SUBJECT TO TERMS AND CONDITIONS FOUND AT AIR-LOGIC.COM

DRAWING TAKES PRECEDENCE OVER 3D MODEL GEOMETRY

TOLERANCE: DECIMALS .00 ± .01, .000 ± .005, FRACTIONS ± 1/64  
ANGLES 1/4° UNLESS OTHERWISE SPECIFIED  
UNITS: INCHES [MILLIMETERS]