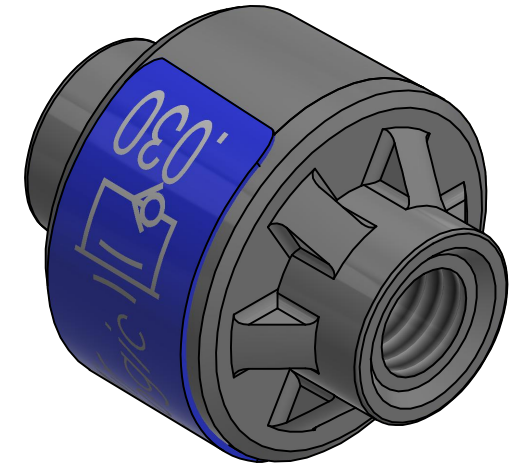
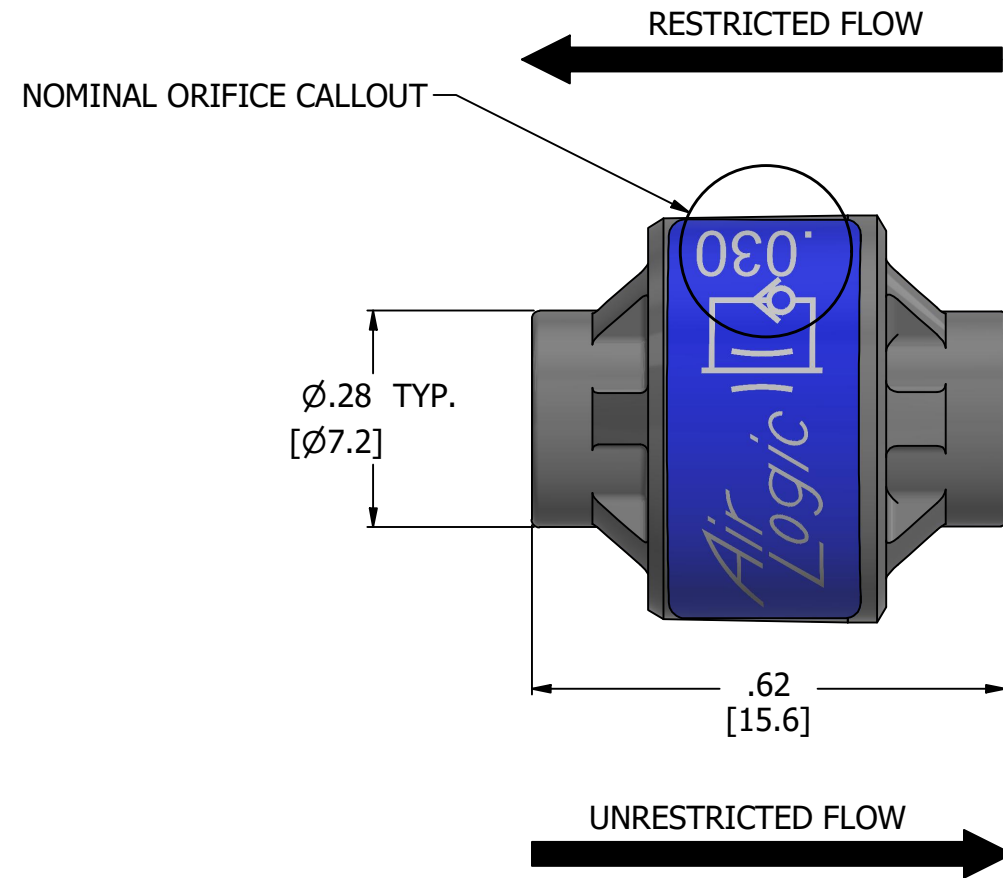
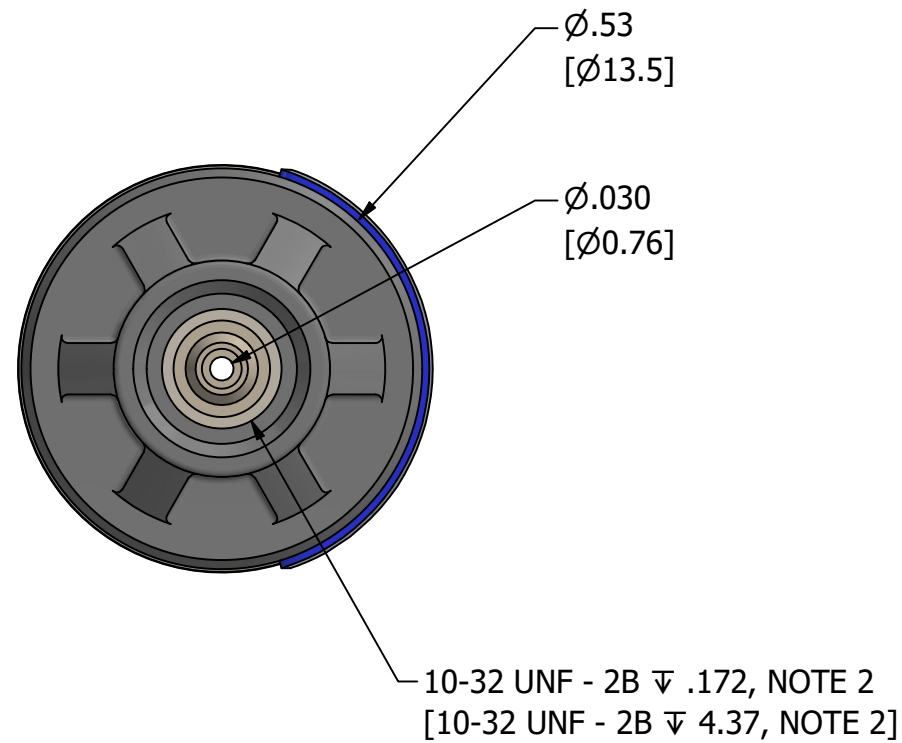



- NOTES:
 1. ALL DIMENSIONS FOR REFERENCE ONLY
 2. REFER TO AIR LOGIC'S #10-32 INTERFACE & SEAL GUIDE
 3. REFER TO AIR LOGIC'S POLYSULFONE APPLICATIONS GUIDE
 4. GASES MUST BE CLEAN AND DRY



PRODUCT SPECIFICATIONS	
COLOR	GRAY, BLUE, BEIGE
MEDIA	GASES, NOTE 3, NOTE 4
MAX INLET PRESSURE	75 PSI [6.9 BAR]
NOMINAL ORIFICE DIAMETER	Ø.030 [Ø0.76]
WETTED MATERIALS	POLYSULFONE, SILICONE
RECOMMENDED SYSTEM FILTRATION	5 MICRON

 AIR-LOGIC © DIVISION OF KNAPP MFG, INC. 5102 DOUGLAS AVE RACINE, WI 53402 PHONE: (262) 639-9035 FAX: (262) 639-5996 WEB: AIR-LOGIC.COM		TERMS OF USE: THIS DRAWING IS FOR INFORMATIONAL PURPOSES ONLY. AIR LOGIC MAKES NO REPRESENTATIONS OF WARRANTIES CONCERNING SUITABILITY FOR ANY PARTICULAR PURPOSE. ALL PRODUCTS SUPPLIED ARE SUBJECT TO TERMS AND CONDITIONS FOUND AT AIR-LOGIC.COM
PART/DRAWING NO.: F2804404301		
DESCRIPTION: DIRECTIONAL FLOW CONTROL, Ø.030, #10-32		DRAWING TAKES PRECEDENCE OVER 3D MODEL GEOMETRY TOLERANCE: DECIMALS .00 ± .01, .000 ± .005, FRACTIONS ± 1/64 ANGLES 1/4° UNLESS OTHERWISE SPECIFIED UNITS: INCHES [MILLIMETERS]
REVISION: A	DRAWN: 2/17/2021	
SCALE: 4 : 1	SHEET SIZE: B	