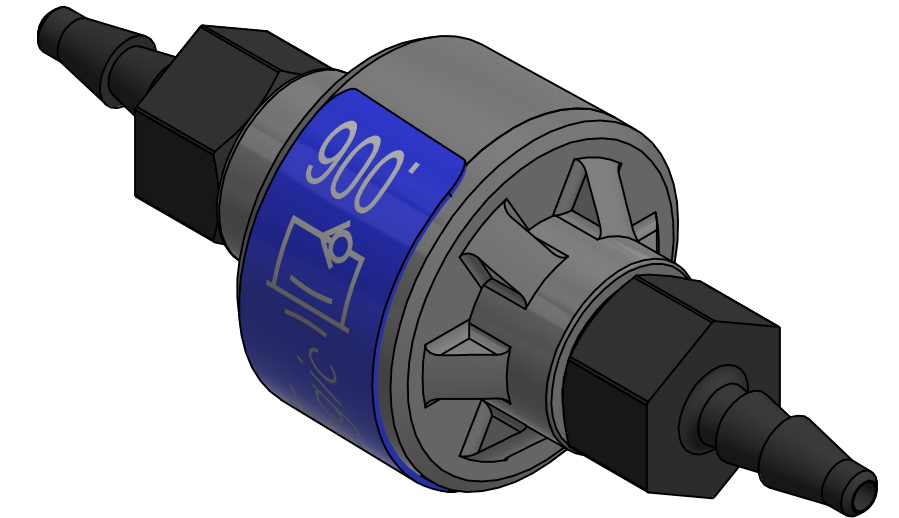


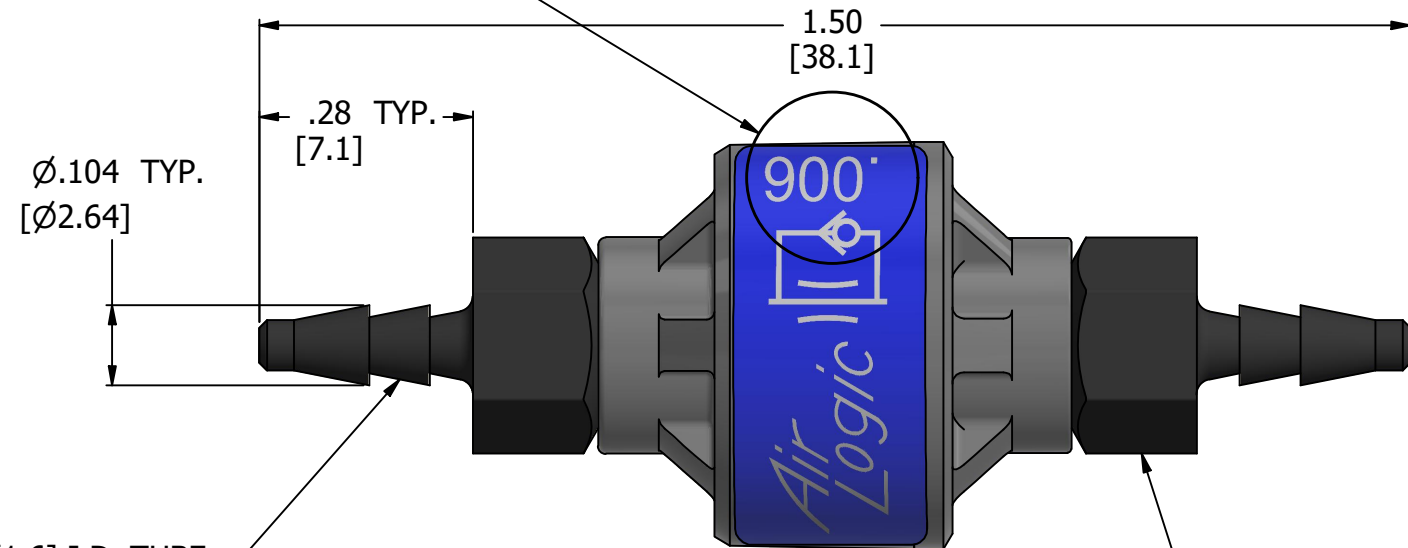
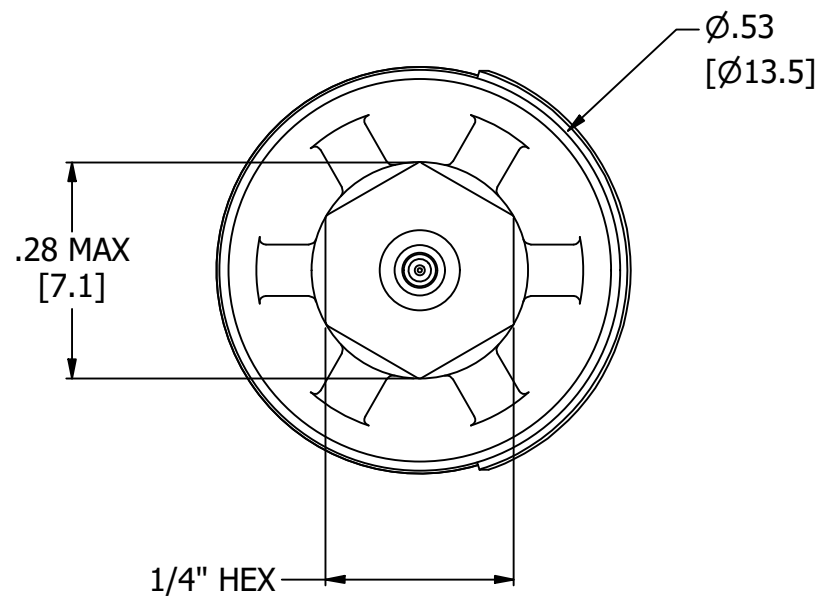
NOTES:

1. ALL DIMENSIONS FOR REFERENCE ONLY
2. REFER TO AIR LOGIC'S POLYSULFONE APPLICATION GUIDE
3. TUBE RETENTION PRESSURE SUBJECT TO TUBING DIMENSION AND STIFFNESS
4. GASES MUST BE CLEAN AND DRY



RESTRICTED FLOW

NOMINAL ORIFICE CALLOUT



BARBED CONNECTION FOR 1/16" [1.6] I.D. TUBE, FIRST BARB FREE OF PARTING LINE

PREINSTALLED FITTINGS, SEE COMPONENT F312080

UNRESTRICTED FLOW

PRODUCT SPECIFICATIONS

| | |
|---------------------------------|------------------------------|
| COLOR | GRAY, BLUE, RED, BLACK |
| MEDIA | GASES, NOTE 2, NOTE 4 |
| MAX INLET PRESSURE | 75 PSI, [5.2 BAR] |
| TYPICAL TUBE RETENTION PRESSURE | 125 PSI, [8.6 BAR], NOTE 3 |
| NOMINAL ORIFICE SIZE | Ø.006, [Ø0.15] |
| WETTED MATERIALS | POLYSULFONE, SILICONE, NYLON |
| RECOMMENDED SYSTEM FILTRATION | 5 MICRON |



AIR-LOGIC ® DIVISION OF KNAPP MFG, INC.
5102 DOUGLAS AVE RACINE, WI 53402
PHONE: (262) 639-9035 FAX: (262) 639-5996 WEB: AIR-LOGIC.COM

PART/DRAWING NO.:

F2804404051B80

DESCRIPTION:
DIRECTIONAL FLOW CONTROL, Ø.006, 1/16" BARB

| | |
|--------------|------------------|
| REVISION: A | DRAWN: 2/17/2021 |
| SCALE: 4 : 1 | SHEET SIZE: B |

TERMS OF USE:
THIS DRAWING IS FOR INFORMATIONAL PURPOSES ONLY. AIR LOGIC MAKES NO REPRESENTATIONS OF WARRANTIES CONCERNING SUITABILITY FOR ANY PARTICULAR PURPOSE. ALL PRODUCTS SUPPLIED ARE SUBJECT TO TERMS AND CONDITIONS FOUND AT AIR-LOGIC.COM

DRAWING TAKES PRECEDENCE OVER 3D MODEL GEOMETRY
TOLERANCE: DECIMALS .00 ± .01, .000 ± .005, FRACTIONS ± 1/64
ANGLES 1/4° UNLESS OTHERWISE SPECIFIED
UNITS: INCHES [MILLIMETERS]