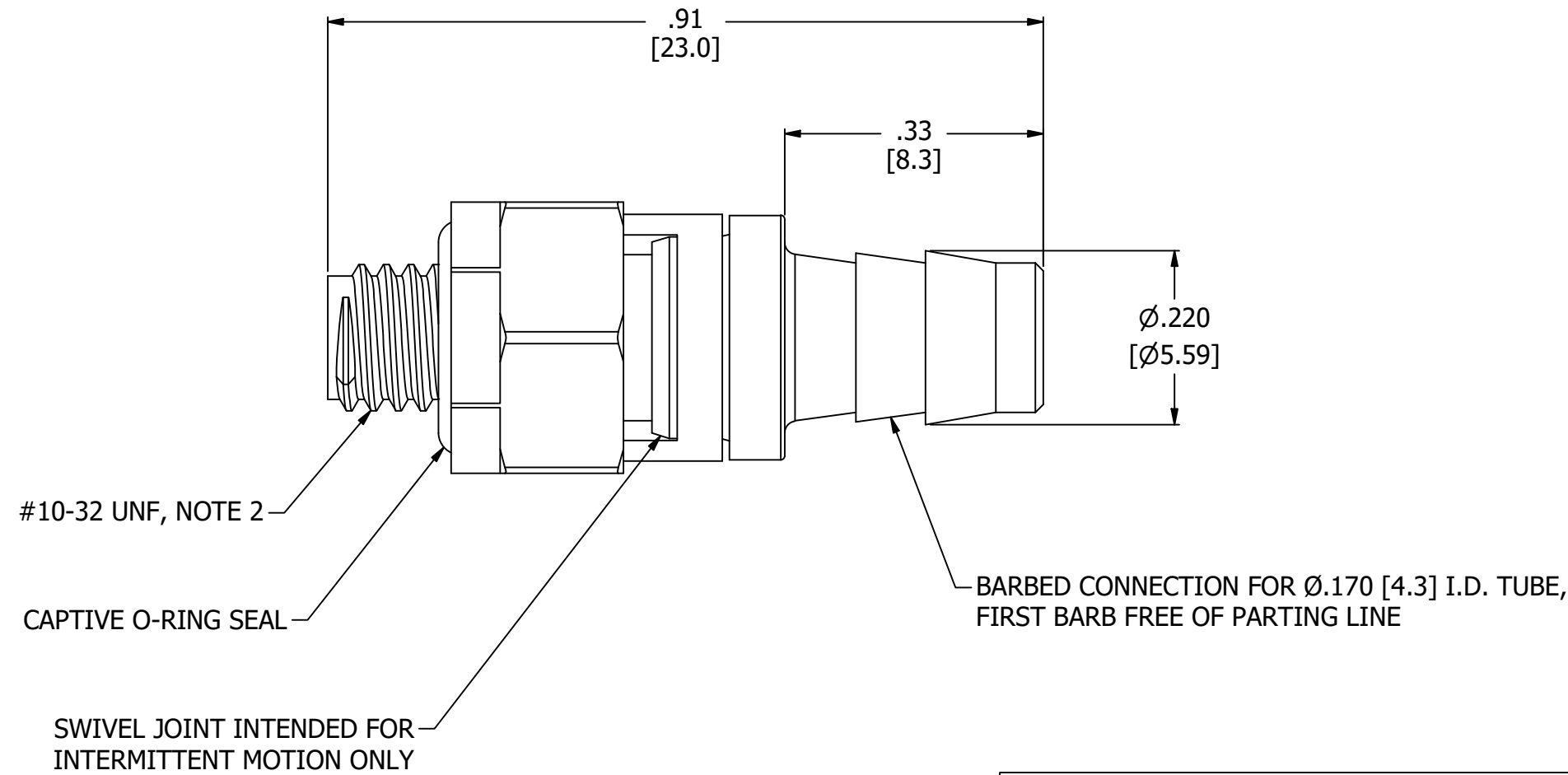
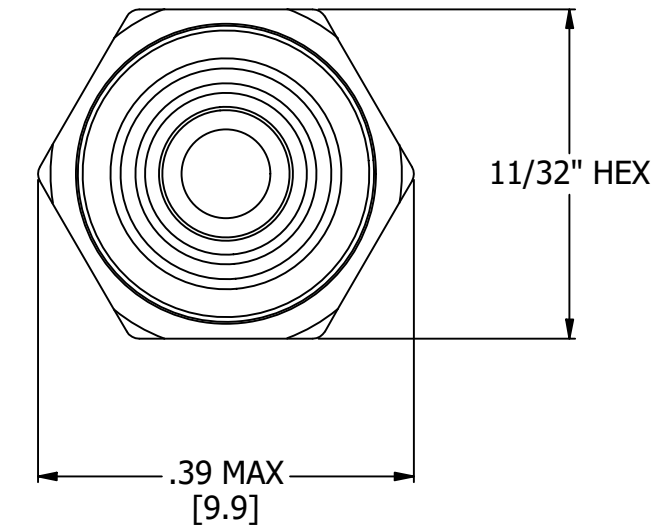
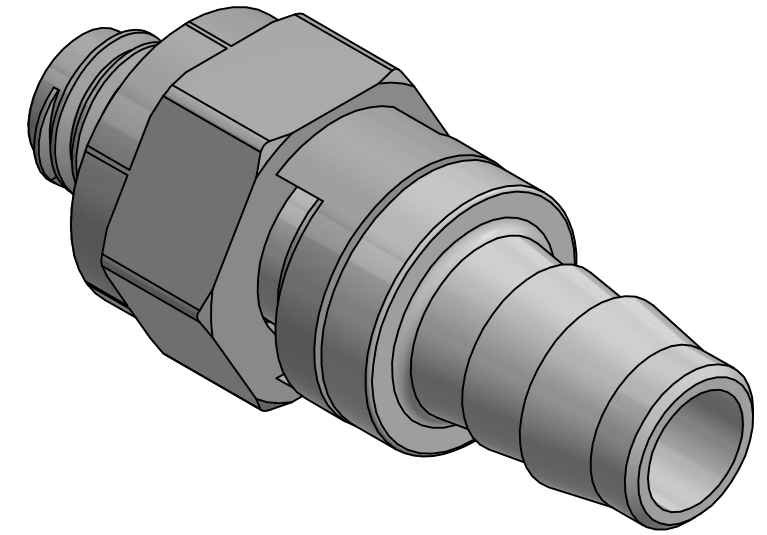



- NOTES:
 1. ALL DIMENSIONS FOR REFERENCE ONLY
 2. REFER TO AIR-LOGIC'S #10-32 INTERFACE & SEAL GUIDE
 3. TUBE RETENTION PRESSURE SUBJECT TO TUBING DIMENSION AND STIFFNESS



| PRODUCT SPECIFICATIONS | |
|---------------------------------|----------------------------|
| COLOR(S) | NATURAL POLYPROPYLENE |
| MEDIA | GASES, LIQUIDS |
| MAX INLET PRESSURE | 125 PSI, [8.6 BAR] |
| TYPICAL TUBE RETENTION PRESSURE | 125 PSI, [8.6 BAR], NOTE 3 |
| MINIMUM INNER DIAMETER | Ø.09 [Ø2.3] |
| WETTED MATERIALS | POLYPROPYLENE, BUNA-N |

| | | |
|---|------------------------|---|
|  AIR-LOGIC © DIVISION OF KNAPP MFG, INC. 5102 DOUGLAS AVE RACINE, WI 53402 PHONE: (262) 639-9035 FAX: (262) 639-5996 WEB: AIR-LOGIC.COM | | TERMS OF USE: THIS DRAWING IS FOR INFORMATIONAL PURPOSES ONLY. AIR LOGIC MAKES NO REPRESENTATIONS OF WARRANTIES CONCERNING SUITABILITY FOR ANY PARTICULAR PURPOSE. ALL PRODUCTS SUPPLIED ARE SUBJECT TO TERMS AND CONDITIONS FOUND AT AIR-LOGIC.COM |
| PART/DRAWING NO.: F215086PP | | |
| DESCRIPTION: POLYPROPYLENE STRAIGHT SWIVEL FITTING, #10-32 X Ø.170" BARB, CAPTIVE O-RING SEAL | | DRAWING TAKES PRECEDENCE OVER 3D MODEL GEOMETRY TOLERANCE: DECIMALS .00 ± .01, .000 ± .005, FRACTIONS ± 1/64 ANGLES 1/4° UNLESS OTHERWISE SPECIFIED UNITS: INCHES [MILLIMETERS] |
| REVISION: A | DRAWN: 3/5/2021 | |
| SCALE: 5 : 1 | SHEET SIZE: B | |