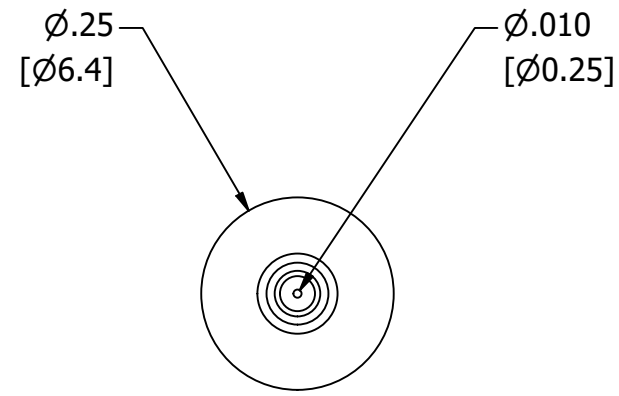
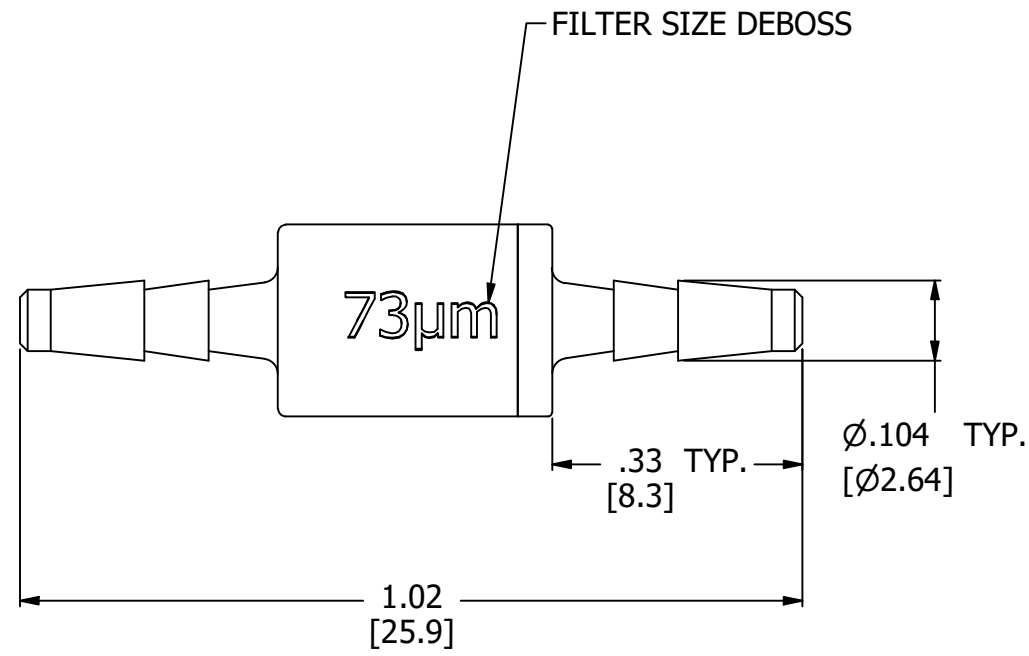
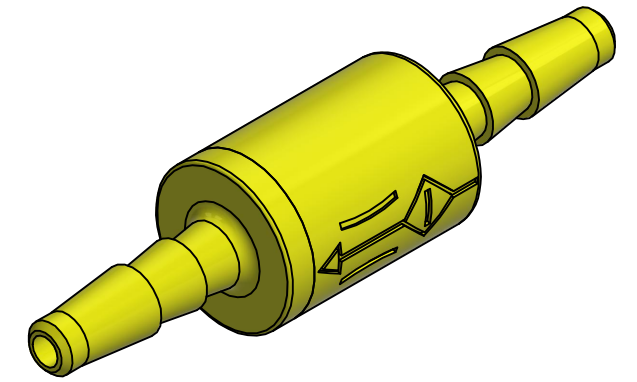
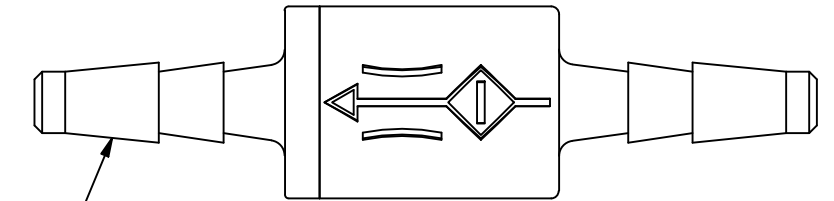


- NOTES:  
 1. ALL DIMENSIONS FOR REFERENCE ONLY  
 2. REFER TO AIR LOGIC'S POLYSULFONE APPLICATION GUIDE  
 3. TUBE RETENTION PRESSURE SUBJECT TO TUBING DIMENSION AND STIFFNESS



BARBED CONNECTION FOR 1/16" [1.6] I.D. TUBE,  
 FIRST BARB FREE OF PARTING LINE

FLOW DIRECTION WITH  
 FILTER UPSTREAM OF ORIFICE



PRODUCT SPECIFICATIONS

|                                 |                              |
|---------------------------------|------------------------------|
| COLOR(S)                        | YELLOW                       |
| FILTER SIZE                     | 73 MICRON                    |
| MEDIA                           | GASES, LIQUIDS, NOTE 2       |
| MAX INLET PRESSURE              | 125 PSI, [8.6 BAR]           |
| TYPICAL TUBE RETENTION PRESSURE | 125 PSI, [8.6 BAR], NOTE 3   |
| NOMINAL ORIFICE DIAMETER        | Ø.010 [Ø0.25]                |
| WETTED MATERIALS                | POLYSULFONE, STAINLESS STEEL |



**AIR-LOGIC** @ DIVISION OF KNAPP MFG, INC.  
 5102 DOUGLAS AVE RACINE, WI 53402  
 PHONE: (262) 639-9035 FAX: (262) 639-5996 WEB: AIR-LOGIC.COM

PART/DRAWING NO.:

**F95073101B80**

DESCRIPTION:  
 FILTERED ORIFICE RESTRICTOR, Ø.010, 73 MICRON FILTER,  
 1/16" BARBS

|              |                  |
|--------------|------------------|
| REVISION: B  | DRAWN: 2/24/2021 |
| SCALE: 4 : 1 | SHEET SIZE: B    |

TERMS OF USE:  
 THIS DRAWING IS FOR INFORMATIONAL PURPOSES ONLY. AIR LOGIC MAKES NO REPRESENTATIONS OF WARRANTIES CONCERNING SUITABILITY FOR ANY PARTICULAR PURPOSE. ALL PRODUCTS SUPPLIED ARE SUBJECT TO TERMS AND CONDITIONS FOUND AT AIR-LOGIC.COM

DRAWING TAKES PRECEDENCE OVER 3D MODEL GEOMETRY  
 TOLERANCE: DECIMALS .00 ± .01, .000 ± .005, FRACTIONS ± 1/64  
 ANGLES 1/4° UNLESS OTHERWISE SPECIFIED  
 UNITS: INCHES [MILLIMETERS]